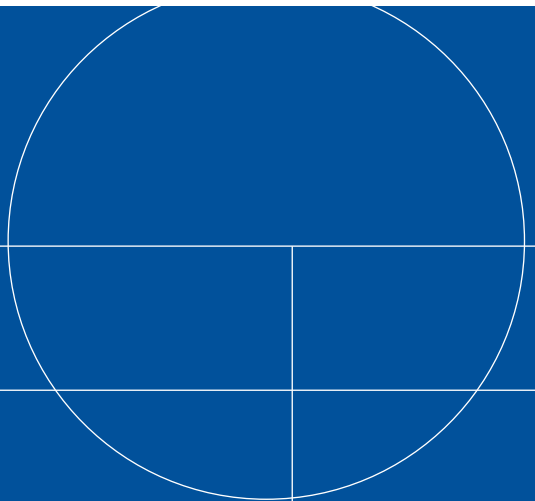


NORMACONNECT® RFP

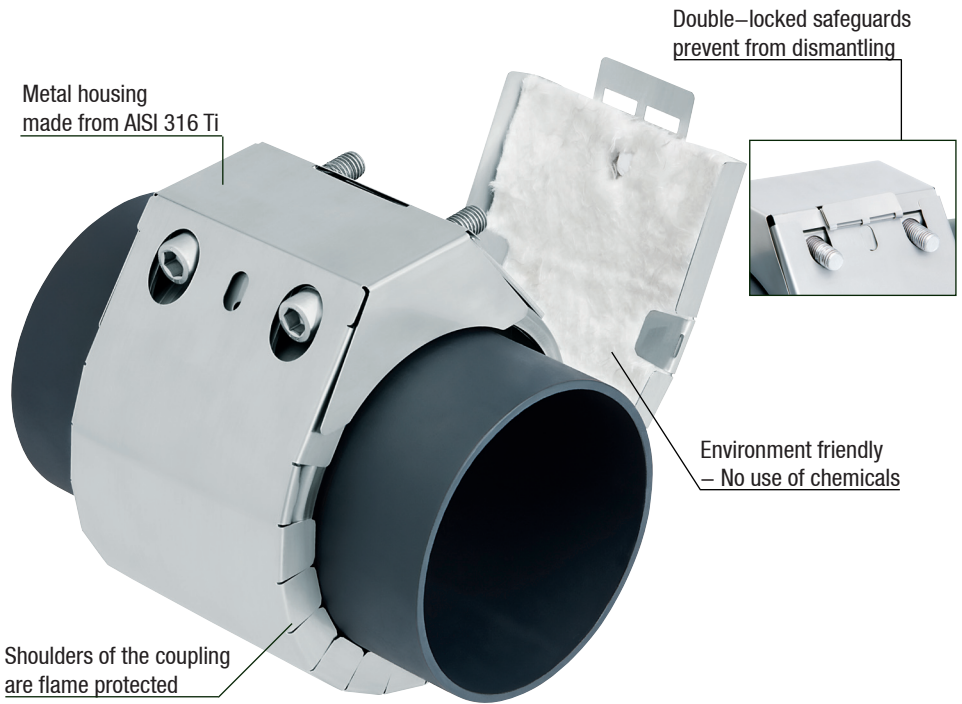
Retrofittable Flame Protection for FGR couplings



Quick and easy assembly for protection against fire



A reliable flame protector for maximum safety



The NEW **NORMACONNECT® RFP** is a retrofittable flame protection housing that has been specially designed for use with all **NORMACONNECT® FLEX**, **GRIP** and **REP** pipe couplings. Its low weight and straightforward design allows quick, easy assembly without any tools and the built-in flame resistant mineral fibre mat provides a premium level of flame protection.

The new Retrofit Flame Protection (RFP) housing has been extensively tested and is approved by Germanischer Lloyd. Approvals are also underway with Bureau Veritas, American Bureau of Shipping, Det Norske Veritas, Lloyd's Register RINA, Korean Register of Shipping, Russian Maritime Register of Shipping, Polski Rejestr Statkon and Nippon Kaiji Kyokai / Class NK.

NORMACONNECT® RFP meets the latest IACS requirements (IACS P211) as well as ISO 19921 regulations. The product has been shock tested and vibration tested.

With **NORMACONNECT®** you will always enjoy first-class products made entirely from recyclable materials and produced in plants certified to TS 16949 and DIN EN ISO 14001.

FEATURES:

- Flame resistant up to 850°C
- Retrofittable
- Easy assembly without tooling
- Low weight
- Meets IACS requirements
- No chemicals in flame protection mat
- High flexibility
- Clear identification whether coupling is flame protected or not
- Mechanical stress resistant
- Less warehousing costs

Easy and safe assembly without tools



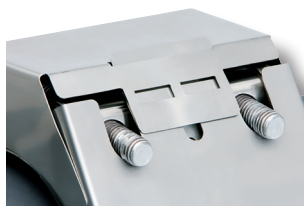
Step 1
Put the flame protection housing around the FGR coupling



Step 2
Position the flame protection housing over the coupling closure



Step 3
Ensure that the screw heads remain accessible



Step 4
Put the flap through the slot



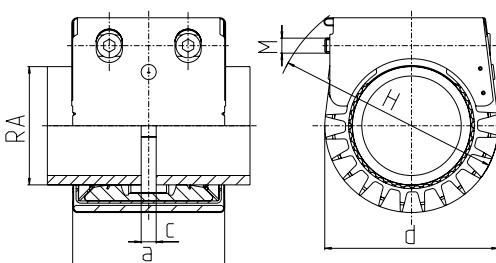
Step 5
Fold the flap over



Step 6
Lock the flap by folding back the lower part – ready !

Technical data for the NORMACONNECT® RFP

OD of FGR coupling	a	d	*H	Weight of RFP housing (kg/piece)
mm			appr. (mm)	
26,9	69	60	110	0,09
28,0	69	60	110	0,09
30,0	69	60	110	0,1
33,7	69	65	115	0,10
38,0	75	70	120	0,11
42,4	75	75	125	0,12
44,5	75	75	125	0,12
48,3	75	80	130	0,13
54,0	90	90	135	0,14
57,0	90	90	140	0,16
60,3	90	95	145	0,16
76,1	110	110	160	0,24
88,9	110	120	170	0,26
101,6	110	135	185	0,28
104,0	110	135	185	0,29
108,0	110	140	190	0,30
114,3	110	145	195	0,31
133,0	125	170	220	0,41
139,7	125	175	225	0,43
154,0	125	190	240	0,45
159,0	125	195	245	0,49
168,3	125	205	255	0,50
219,1	155	260	310	0,73
273,0	155	315	365	0,87



*Dimensions of the housing are given as assembled on a **NORMACONNECT®** Grip/ Grip E/ Flex/ Flex E pipe coupling. Further sizes available on request.

Fire resistant up to 850° C



3-2B-6-20090416

A blue rectangular area containing a white technical drawing. The drawing features a circle with a horizontal and vertical centerline. A diagonal line extends from the center to the bottom-left. At the bottom left, there is a series of vertical tick marks of varying heights, resembling a scale or a specific technical detail.

NORMA Germany GmbH

Postfach 1149 · D-63461 Maintal
Edisonstraße 4 · D-63477 Maintal
Tel.: +49 (6181) 4 03-0
Fax: +49 (6181) 4 03-210

www.normagroup.com
info@normagroup.com